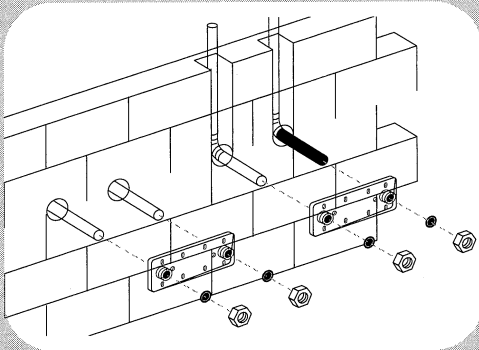


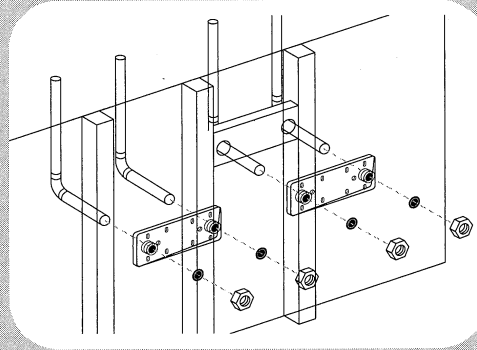
# SHOWER PLATE

## FITTING INSTRUCTIONS

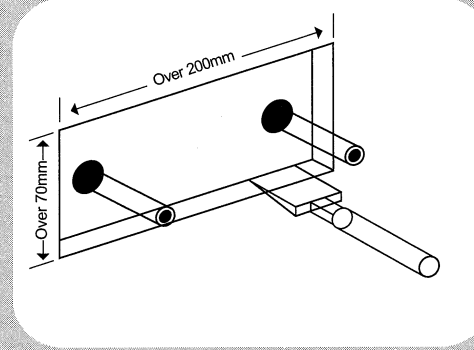
Supply copper pipes at 150mm centres accurately



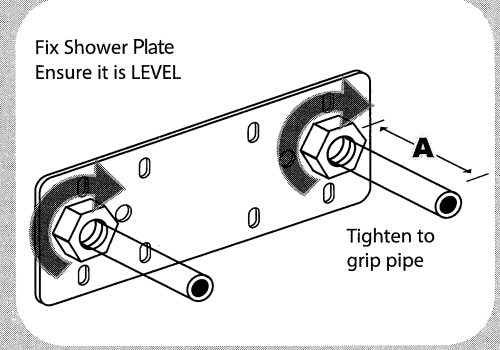
Block/Brick Wall -  
Chase/Drill Through



Stud wall -  
Fasten to stud

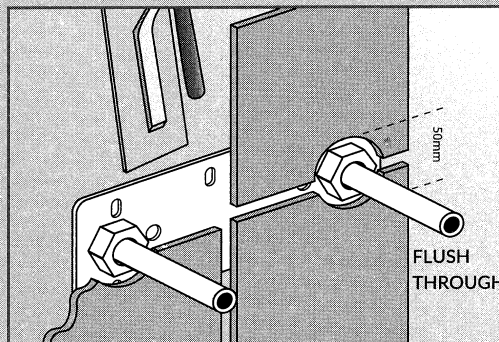


Rendered wall -  
Dig out a Gap in wall of at least  
200mm x 70mm x 15mm deep



Fix the accurate screws in the wall (Not  
Supplied) it Must be according to wall  
Thickness + 60mm minimum.

### Decorate



Decorate wall i.e. Finishing/Tiling

Make sure the pipework is flushed  
through before fitting the shower  
mixer valve